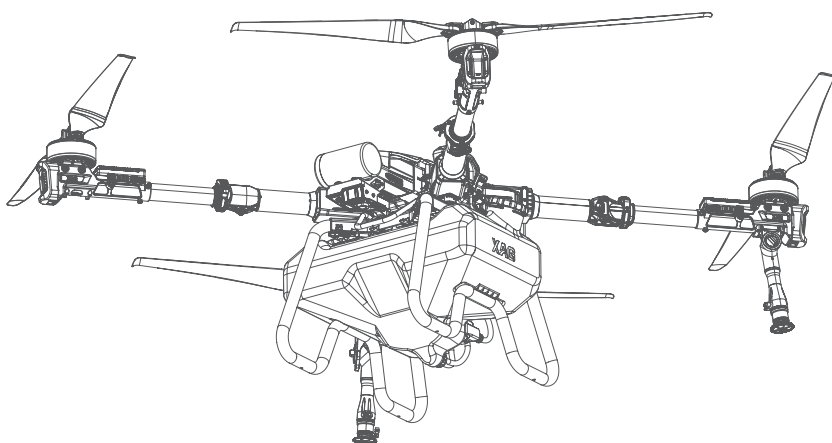


XAG P100 Pro

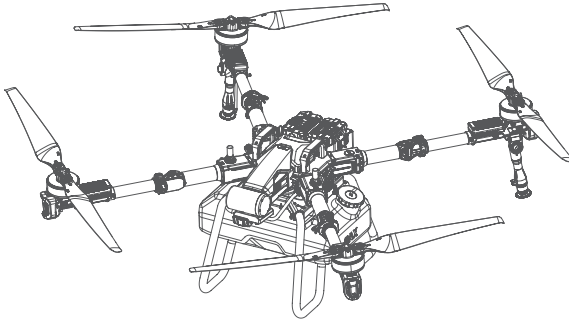
Type: 3WWDZ-50AH

Warranty Period

Version AU V1.0 2023.09.21



P100 PRO WARRANTY PERIOD



P100 Pro - Electronics

SKU	Components	Warranty Period	Recommended Replacement Cycle
05-002-01880	FC	12 Months	24 Months
01-003-00373 01-003-00374 01-003-00376 01-003-00377 01-003-00390	Antenna (RTK, 4G, WIFI)	12 Months	24 Months
05-002-01262	UPS	12 Months	24 Months
05-002-01769	Dynamic Radar	12 Months	24 Months
05-002-01265	Terrain Following Module	12 Months	24 Months
05-002-01767	ESC	12 Months	24 Months
05-002-01349 05-002-01681	PSL Camera (Forward, Downward)	12 Months	24 Months
14-005-00027	Power Socket	12 Months	24 Months
14-005-00024	Central Cable Hub	6 Months	12 Months
14-005-08213	Central Power Hub	6 Months	12 Months
-	Smart Battery	6 Months Extended warranty available	1000 hrs
-	Smart Battery Charger	12 Months	24 Months
-	Remote Controller	12 Months	24 Months
	RTK - XRTK4 Ground Module	12 Months	24 Months
13-001-00044	Battery - B4100 Extension Rod	6 Months	1000 hrs

P100 Pro - Airframe - Main Frame Components

SKU	Components	Warranty Period	Recommended Replacement Cycle
02-001-09641	Fuselage Front Compartment Frame	3 Months	24 Months
02-001-09447	Front Modules Bracket	3 Months	24 Months
02-001-09592 02-001-09632	Arm (Motor Side & Fuselage Side)	3 Months	24 Months
02-002-07249	Arm Slider	3 Months	24 Months
14-006-00028	Arm Joint Pin Kit	3 Months	24 Months
02-001-07349	Motor Bracket	3 Months	24 Months
02-001-06306	Fuselage Arm Cover	3 Months	24 Months
14-005-00021	Main Fuselage	3 Months	24 Months
02-002-11523	Main Fuselage Beam	3 Months	24 Months
02-001-08829	Fuselage Handle	3 Months	24 Months
14-005-00026	Airframe Hasp	3 Months	24 Months
14-005-00022	Airframe Hasp Bracket	3 Months	24 Months
02-002-09098	Tail Frame Beam	3 Months	24 Months
02-001-08009 02-001-08462	Battery Socket Housing (Upper & Lower)	3 Months	24 Months
02-001-09692	Tail Frame	3 Months	24 Months

P100 Pro - Airframe - Easily Worn components

SKU	Components	Warranty Period	Recommended Replacement Cycle
02-001-08187	Motor Bracket Pin Buffer	3 Months	3 Months
02-002-10353	Motor Bracket Pin	3 Months	3 Months
05-002-01764	Arm Clamp	3 Months	12 Months

P100 Pro - Propulsion System - Easily Worn Components

SKU	Components	Warranty Period	Recommended Replacement Cycle
14-006-00001 14-006-00002	Propeller	3 Months	700 hrs
14-006-00010	Propeller Clamp	3 Months	1000 hrs
02-002-12102	Propeller Clamp Bracket	3 Months	1000 hrs
02-002-12103	Propeller Clamp Bracket Pin	3 Months	1000 hrs
02-005-00420	Motor	800 hrs or 12 Months (Whichever comes first)	1000 hrs or 12 Months (Whichever comes first)

P100 Pro - Spray System - Easily Worn Components

SKU	Components	Warranty Period	Recommended Replacement Cycle
05-002-01768	Nozzle	3 Months	6 Months
02-001-09614 02-001-09615	Nozzle Extension Rod Bracket (L & R)	3 Months	6 Months
02-001-09449	Nozzle Disc	3 Months	1000 hrs or 6 Months (Whichever comes first)
02-001-09040	Nozzle Extension Rod Release Knob	3 Months	6 Months
02-001-09451	Nozzle Extension Rod	3 Months	6 Months
02-001-09608	Nozzle Extension Rod Clip	3 Months	6 Months
02-001-09514	Nozzle Extension Rod Tube Clip	3 Months	6 Months
02-001-09515	Nozzle Extension Rod Internal Cable Bracket	3 Months	6 Months
05-002-01749	3-Way Tubing Fitting (Incl. Pulsation Damper)	3 Months	6 Months
05-002-01728	Liquid Container Level Detector	3 Months	6 Months
14-006-00022 14-006-00023	Peristaltic Pump Roller (A, B)	3 Months	6 Months
14-006-00021	Peristaltic Pump Motor	3 Months	1000 hrs or 6 Months (Whichever comes first)

P100 Pro - Spread System - Easily Worn Components

SKU	Components	Warranty Period	Recommended Replacement Cycle
14-006-00019 14-006-00020	RevoCast 3 Extra Large Screw Feeder (L, R)	3 Months	1500 hrs or 12 Months (Whichever comes first)
14-005-00037 14-005-00038	RevoCast 3 Large Screw Feeder (L, R)	3 Months	1500 hrs or 12 Months (Whichever comes first)
05-002-01555	RevoCast 3 Medium Screw Feeder	3 Months	1500 hrs or 12 Months (Whichever comes first)
05-002-01637	RevoCast 3 Small Screw Feeder	3 Months	1500 hrs or 12 Months (Whichever comes first)
02-001-08768 02-001-08769	Spreader Disc (L, R)	3 Months	1500 hrs or 12 Months (Whichever comes first)
02-001-07801	Screw Feeder Motor Interial Seal	3 Months	1500 hrs or 12 Months (Whichever comes first)
02-001-08067	Screw Feeder Outlet End Pin Seal	3 Months	1500 hrs or 12 Months (Whichever comes first)
02-001-08068	Screw Feeder Motor Gear Shaft Seal	3 Months	1500 hrs or 12 Months (Whichever comes first)

P100 Pro - Others

SKU	Components	Warranty Period	Recommended Replacement Cycle
-	Accessories - Cables	3 Months	2000 hrs
-	Accessories - Screws	3 Months	12 Months

P100 Pro - RevoSpray 3

SKU	Components	Warranty Period	Recommended Replacement Cycle
05-002-01736	Spray System Cable Hub	6 Months	12 Months

P100 Pro - RevoCast 3

SKU	Components	Warranty Period	Recommended Replacement Cycle
05-002-01729	Spread System Cable Hub	6 Months	12 Months
05-002-01728	Granular Container Level Detector	6 Months	12 Months
14-006-00011	Spiral Feeder Motor (incl. Primary Gearbox)	6 Months	12 Months
14-005-00033	Spreader Motor	6 Months	12 Months



Copyright©2023 XAG Australia All Rights Reserved

The copyright of all information in this user manual (including but not limited to any text description, illustrations, photos, methods, processes, etc.) belongs to XAG Australia and is protected by copyright law. No individual or organization may imitate, extract, translate, distribute or reproduce or quote all the contents of this manual without any written authorization.